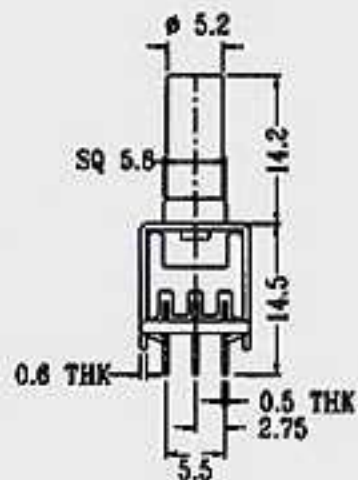
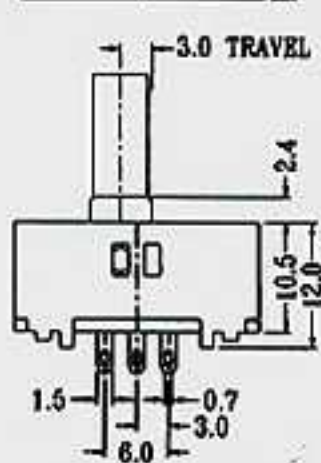
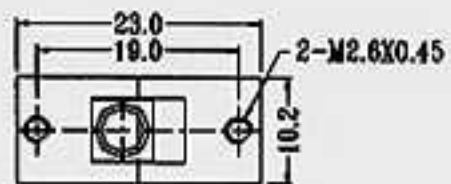
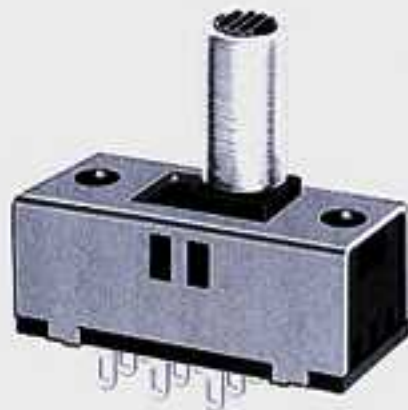
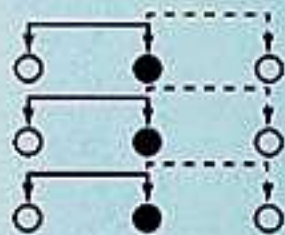


# SS-32F01

Rating : 0.5A 50V DC

Function: 3P2T



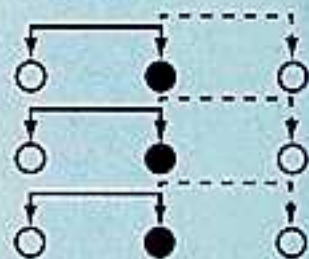
# SS-32H01

Rating : 0.5A 50V DC

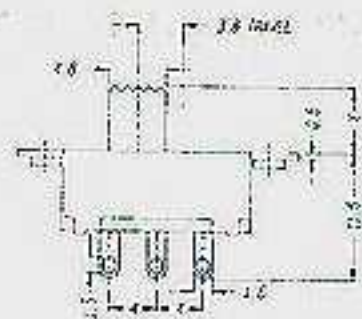
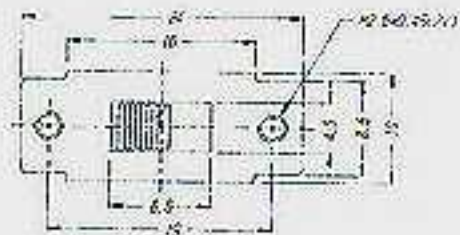
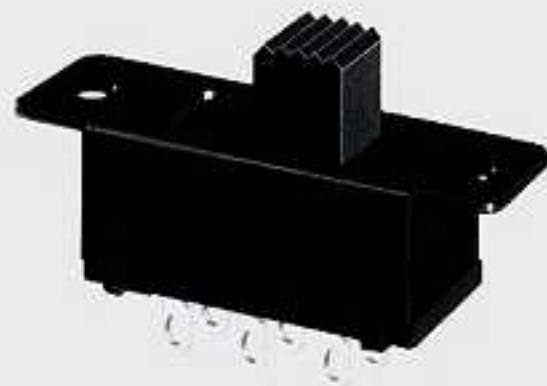
Function: 3P2T



Optional knob type



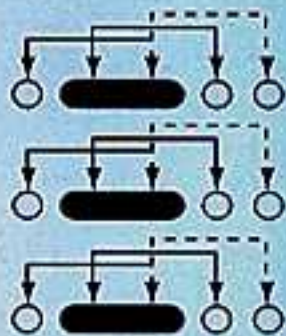
GBM					



# SS-33F01

Rating : 0.5A 50V DC

Function: 3P3T



S

