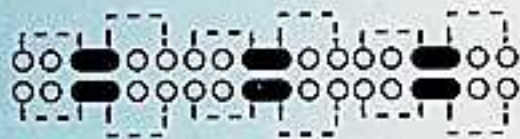


SK-82L01 (L3R2)

Rating : 0.3A 50V DC

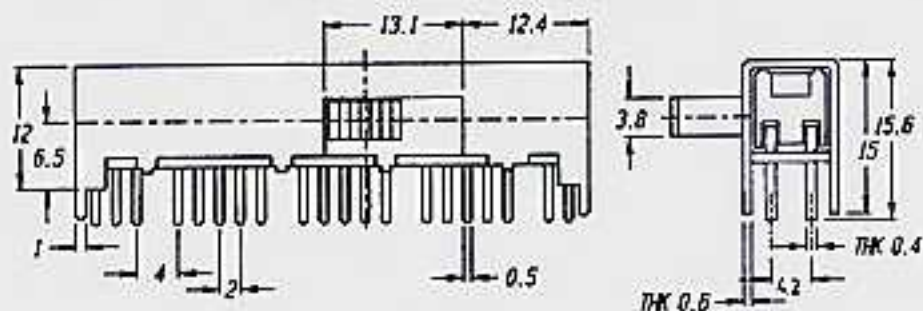
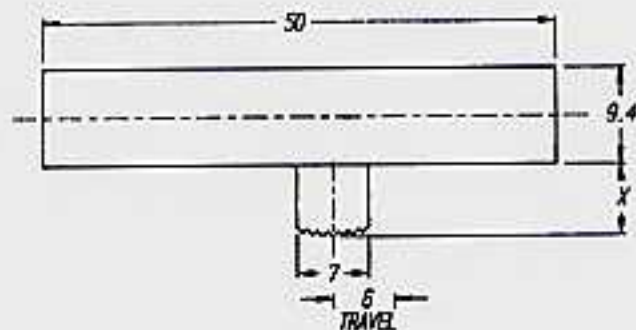
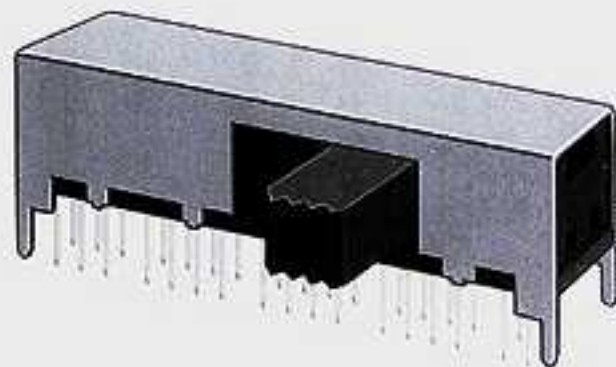
Function: 8P2T



Optional knob type



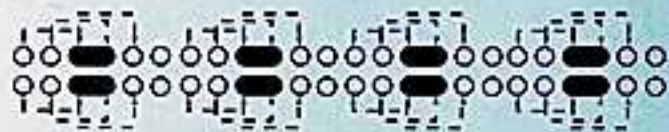
GDE	GDH	GDI	MXF		



SK-83D08(L3R2)

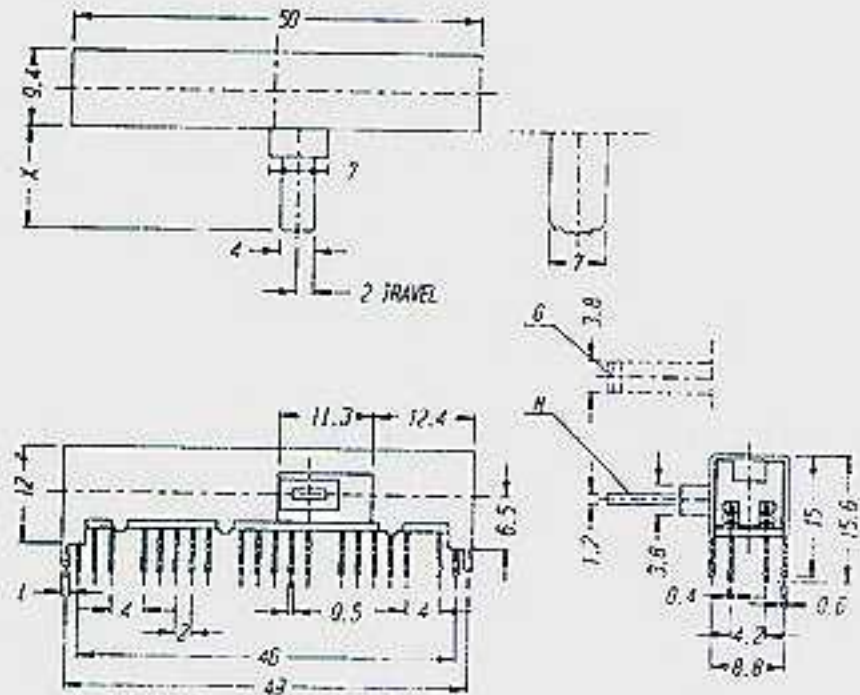
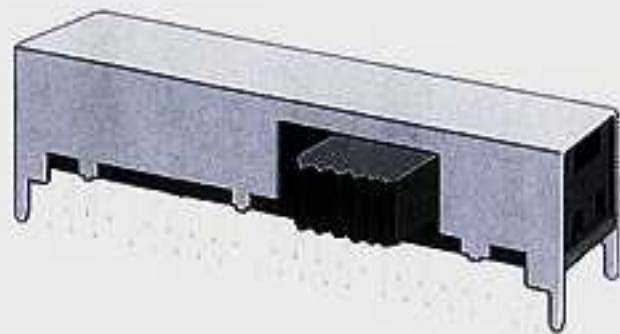
Rating : 0.3A 50V DC

Function: 8P3T



Optional knob type

GDE	GDJ	TAN	MXF		



SK-83D07 (L3R2)

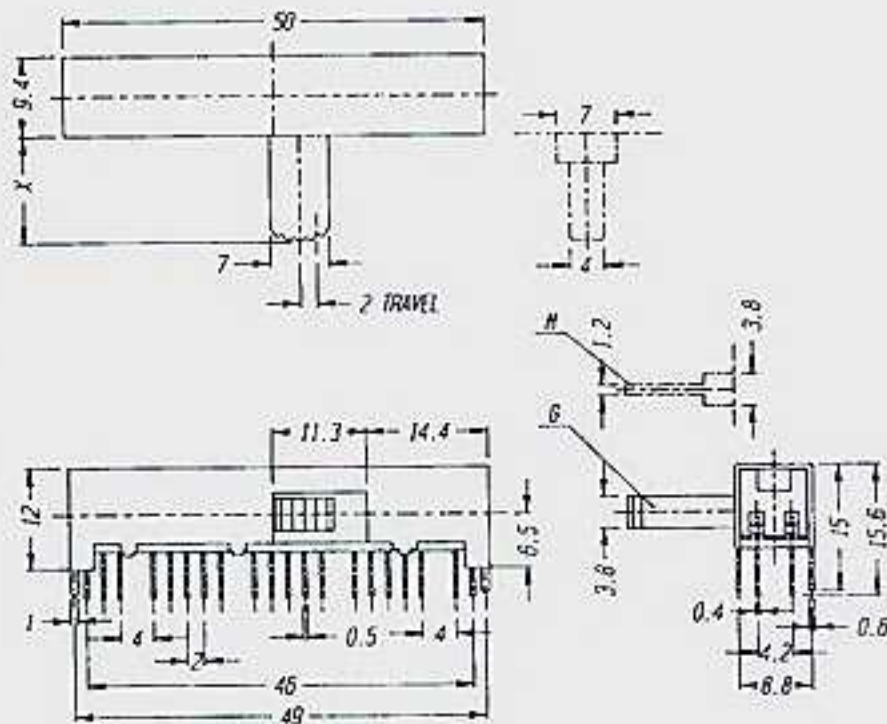
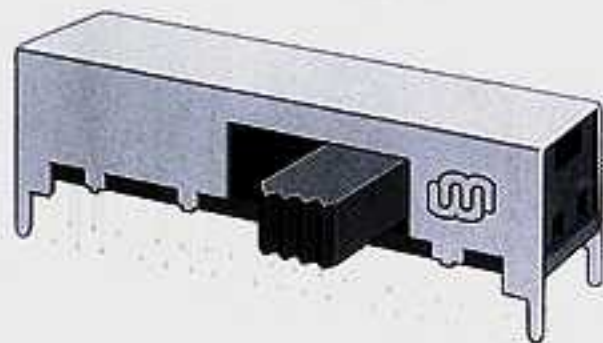
Rating : 0.3A 50V DC

Function: 8P3T



Optional knob type

GDE	GDJ	TAN	MXF		



SK-83D02(L1R3)

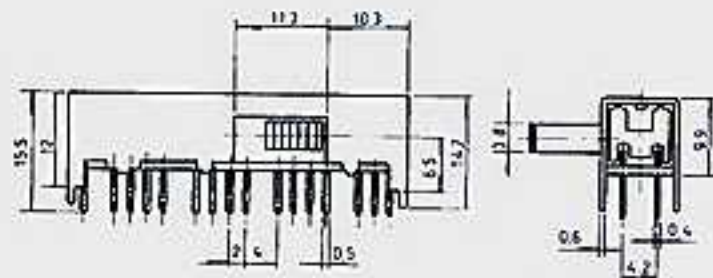
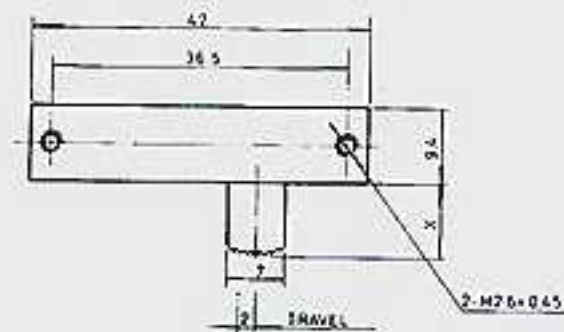
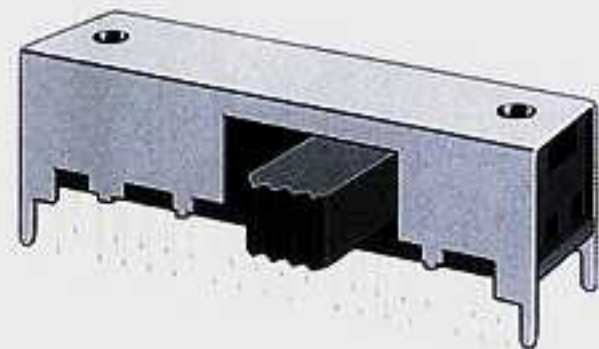
Rating : 0.3A 50V DC

Function: 8P3T



Optional knob type

GDR	GBR	MXF			



SK-84D01

Rating : 0.3A 50V DC

Function: 8P4T



Optional knob type

GDE	GDJ	TAN	MXF		

