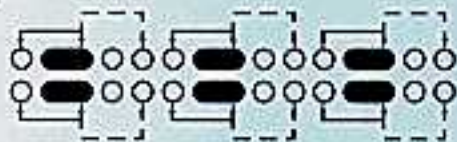


SK-62H01 (L1R3)

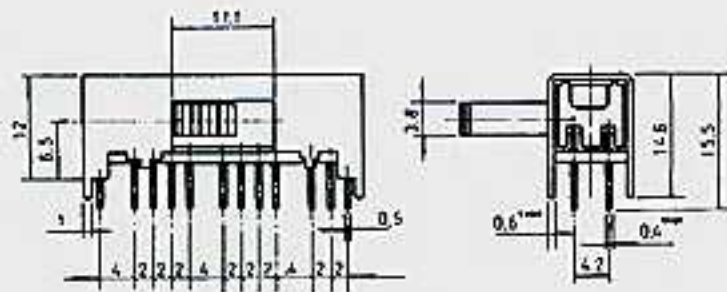
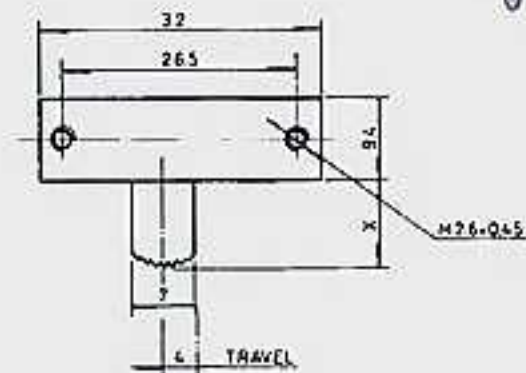
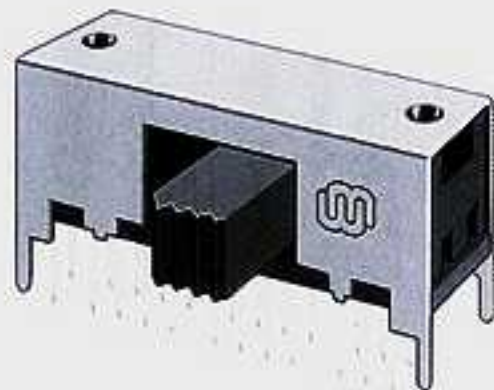
Rating : 0.3A 50V DC

Function: 6P2T



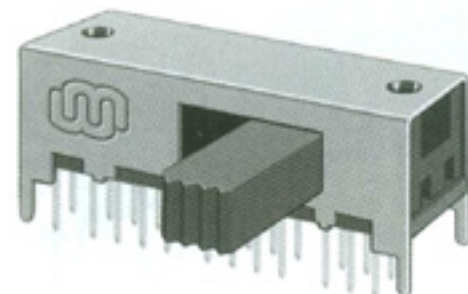
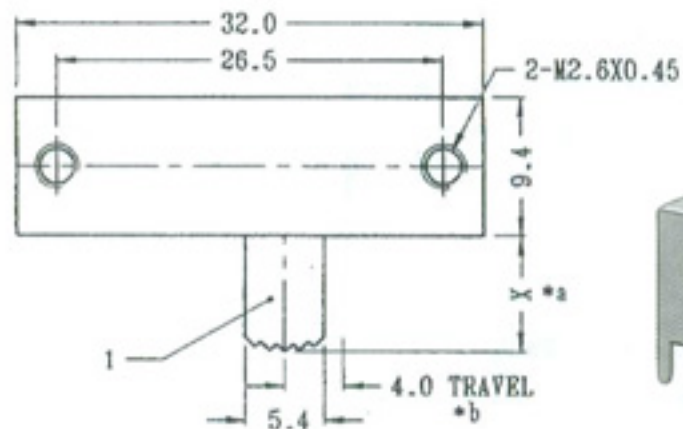
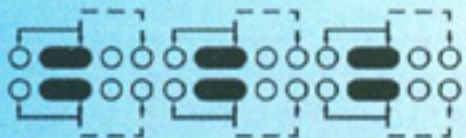
Optional knob type

MXF	GDD	GDG			



SK-62H12(L1R3)

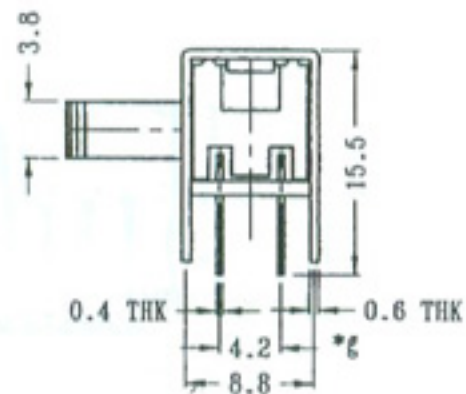
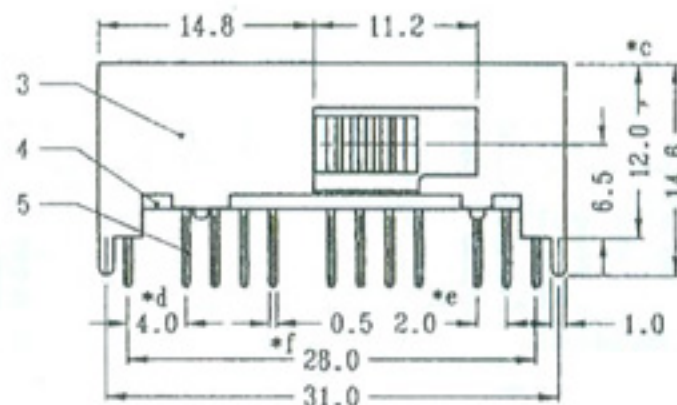
Rating : 0.3A 50V DC
Function: 6P2T



Optional knob type



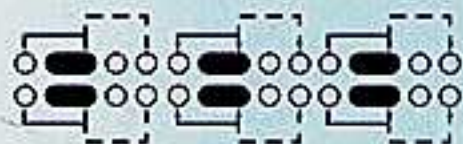
MXF	GDD	GDG			



SK-62H03(L1R3)

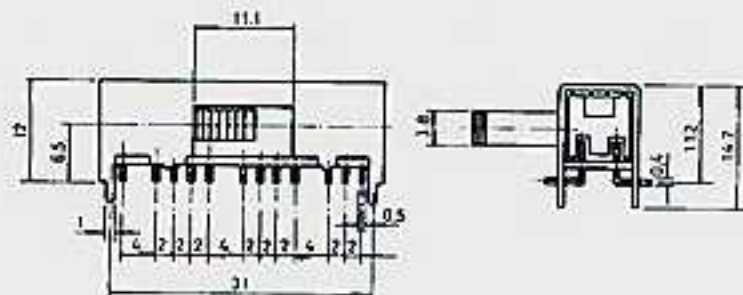
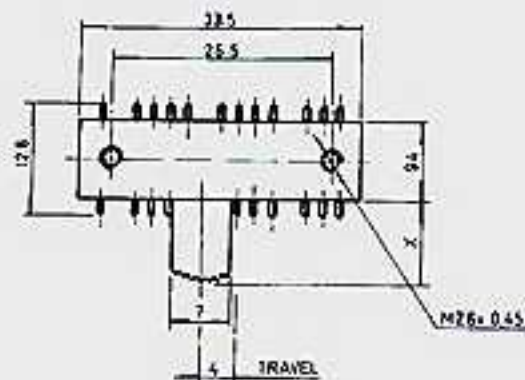
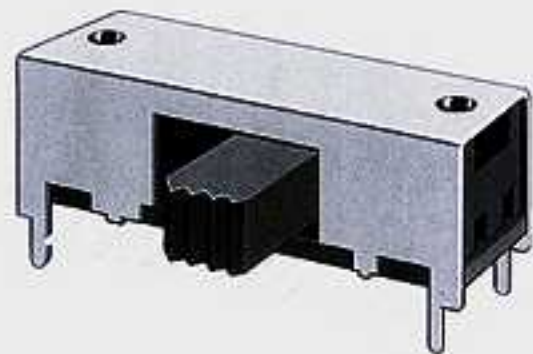
Rating : 0.3A 50V DC

Function: 6P2T



Optional knob type

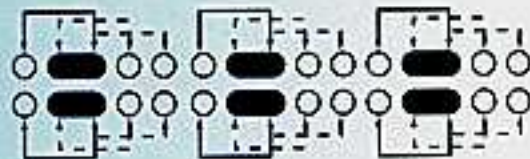
MXF	GDD	GDG			



SK-63D11 (L1R3)

Rating : 0.3A 50V DC

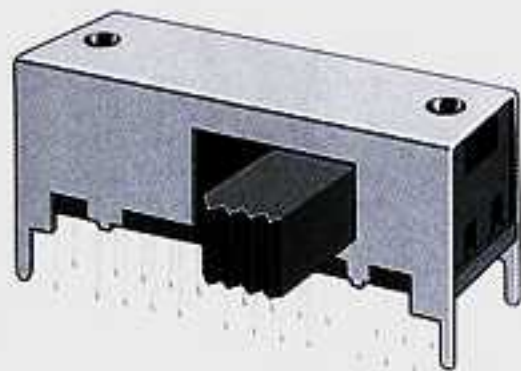
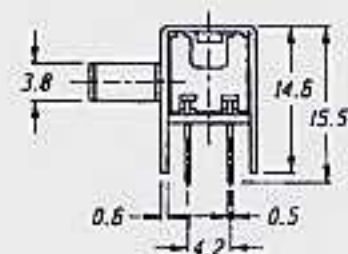
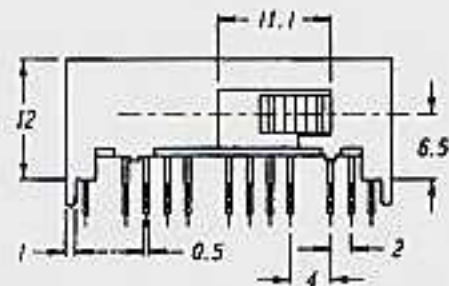
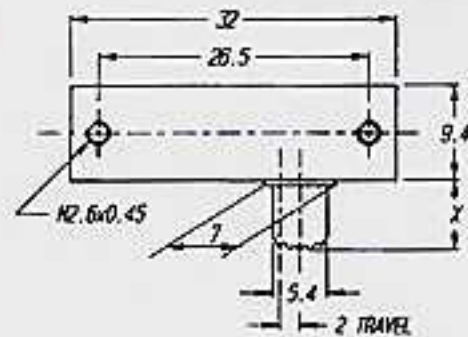
Function: 6P3T



Optional knob type



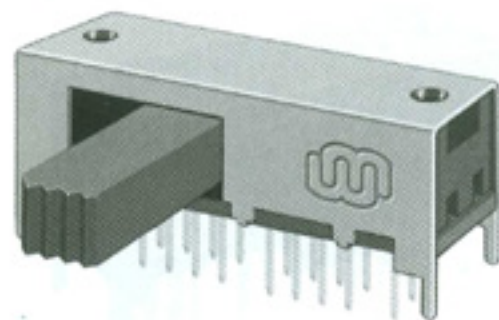
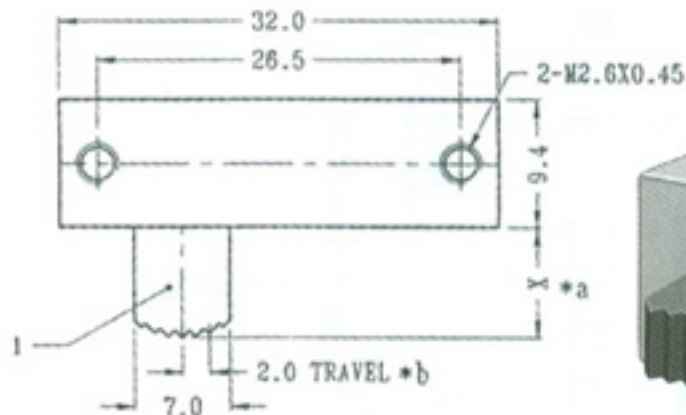
MXF	GDD	GDG			



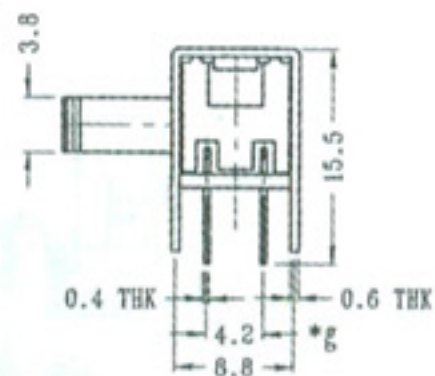
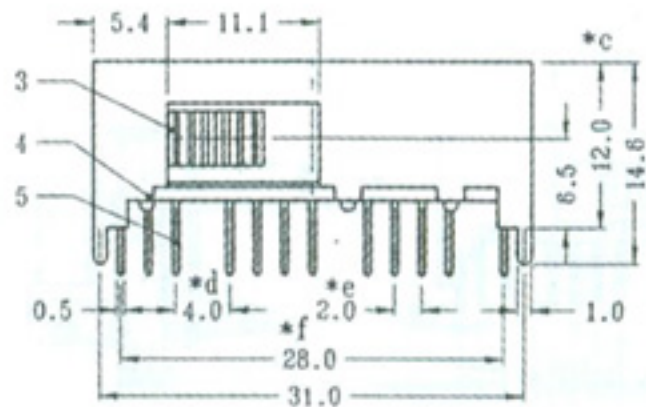
SK-63D10 (L1R3)

Rating : 0.3A 50V DC

Function: 6P3T



Optional knob type



MXF	GDD	GDG			

SK-63D03 (L1R3)

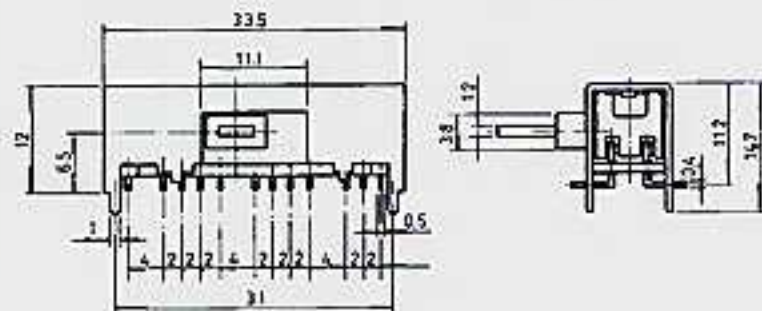
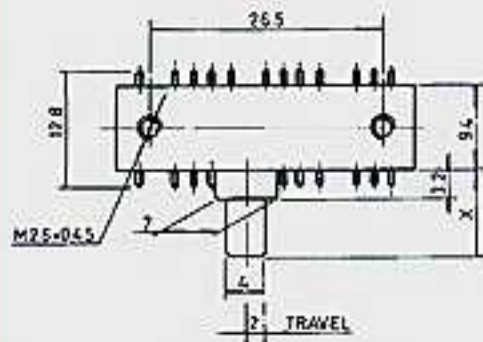
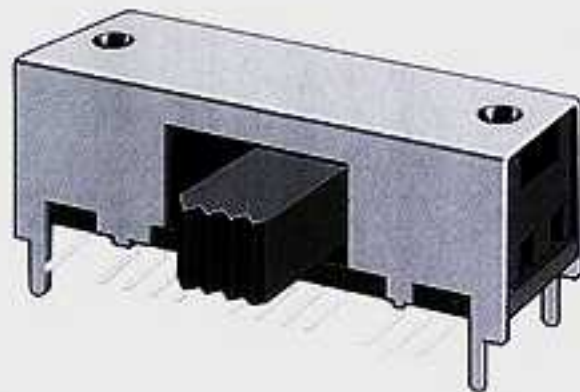
Rating : 0.3A 50V DC

Function: 6P3T



Optional knob type

MXF	GDD	GDG			



SK-63D01(L1R3)

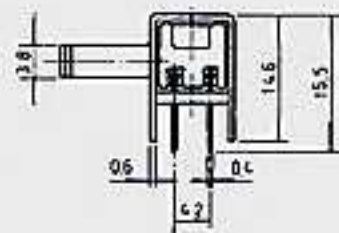
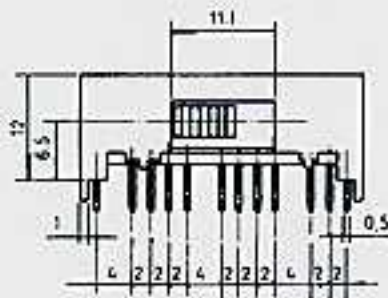
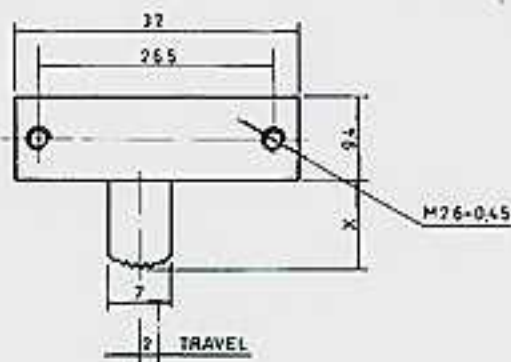
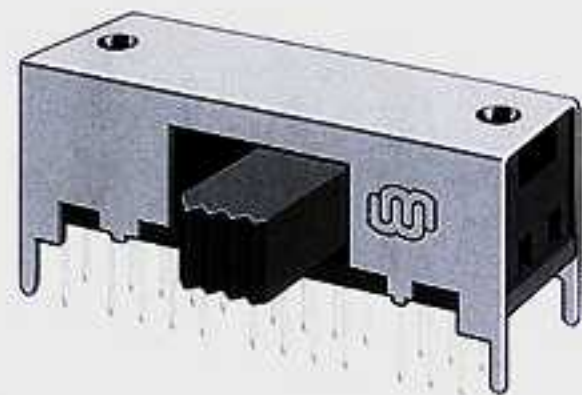
Rating : 0.3A 50V DC

Function: 6P3T



Optional knob type

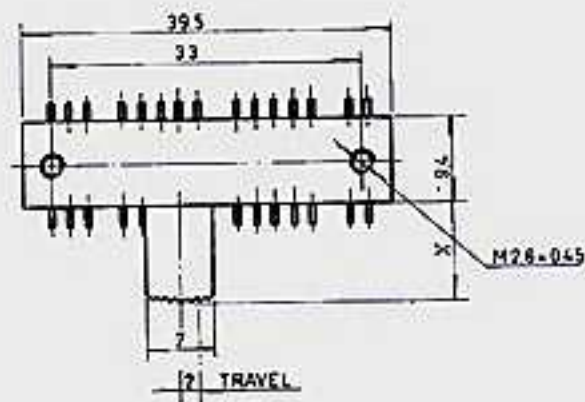
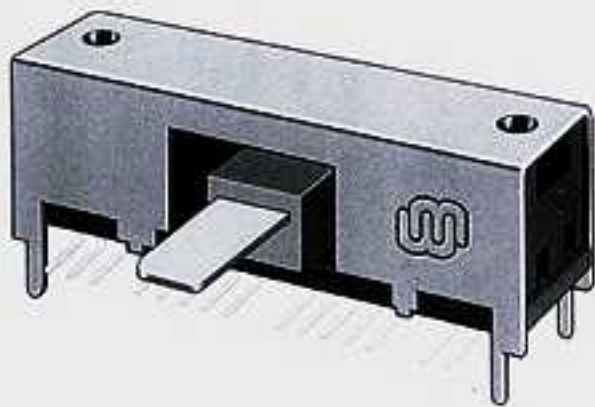
MXF	GDD	GDG			



SK-64D03 (L3R2)

Rating : 0.3A 50V DC

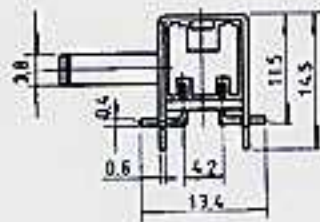
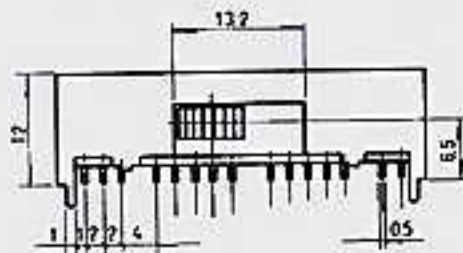
Function: 6P4T



Optional knob type



GDE	GDH	GDI	MXF		



SK-64D01 (L3R2)

Rating : 0.3A 50V DC

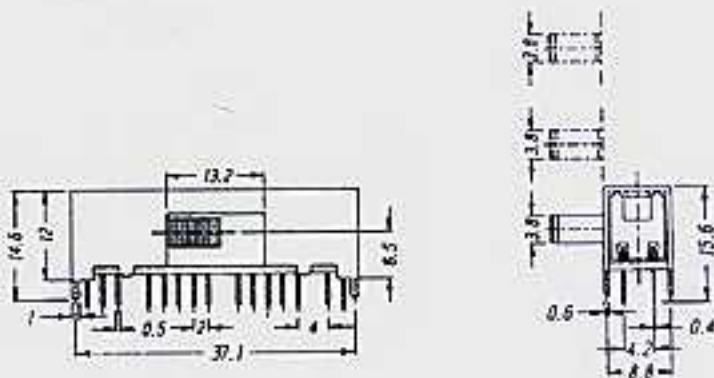
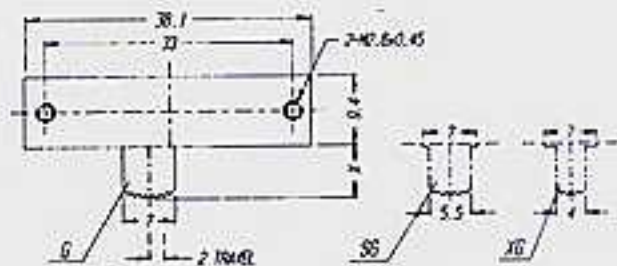
Function: 6P4T



Optional knob type



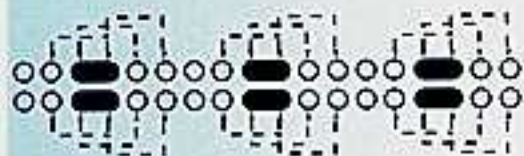
GDE	GDH	GDI	MXF		



SK-63D15 (L3R2)

Rating : 0.3A 50V DC

Function: 6P4T



Optional knob type



GDE	GDH	GDI	MXF		

